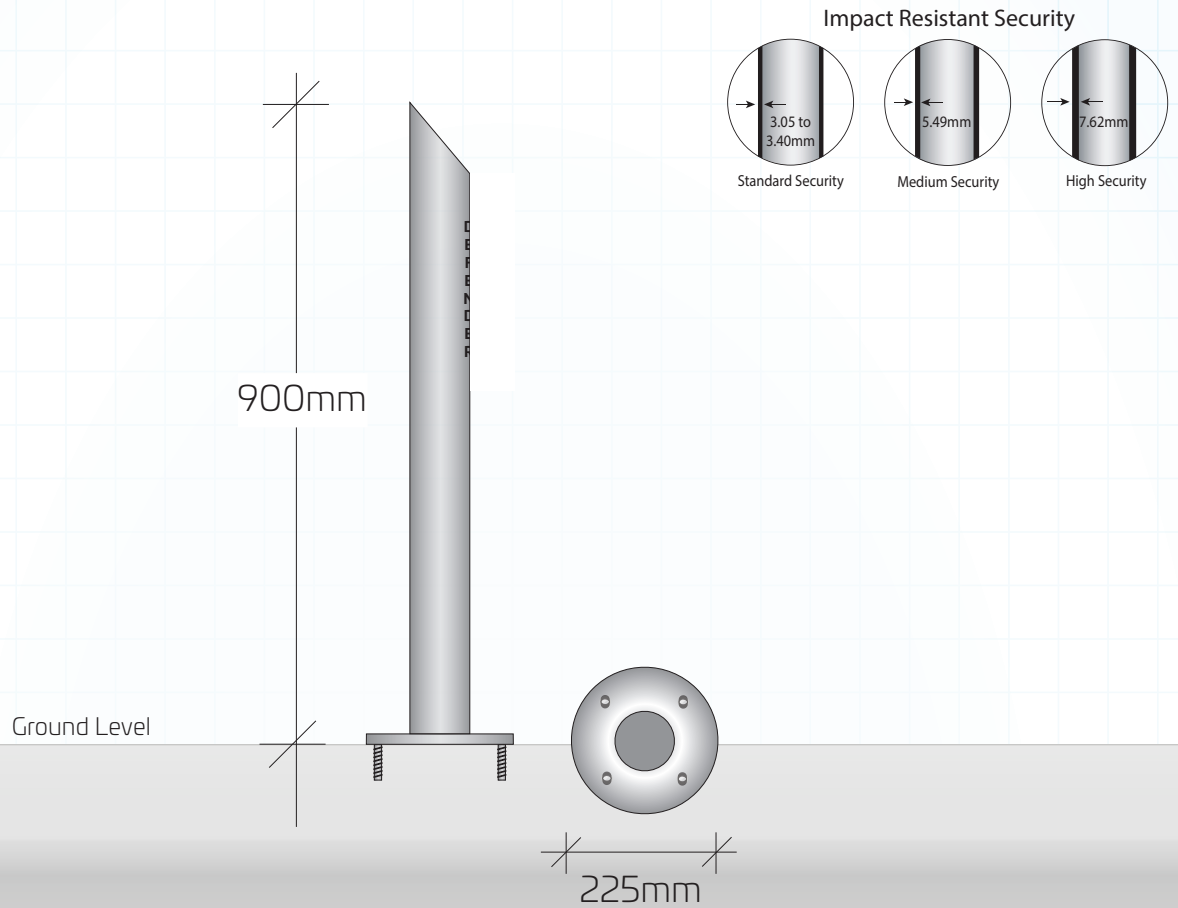


DEFENDER BOLLARD

SS90/MB



90mmØ Mitred Stainless Steel Bollard Series

Code	Style	Height	Diameter	Wall Th.	Baseplate	Fixings
SS90A/MB	Bolt-down	900mm	88.9mm	3.05mm	225 x 8mm	4
SS90B/MB	Bolt-down	900mm	88.9mm	5.49mm	225 x 8mm	4
SS90C/MB	Bolt-down	900mm	88.9mm	7.62mm	225 x 8mm	4

- Aesthetically appealing while adding security to your property
- Protect against accidental vehicle impact and unexpected ram raids
- 304 grade stainless steel is standard with a grade 4 finished surface
- 316 grade stainless steel is recommended for marine environments
- Low maintenance, anti-corrosive exterior
- Impact resistant to high security standard - wall thickness up to 8.18mm

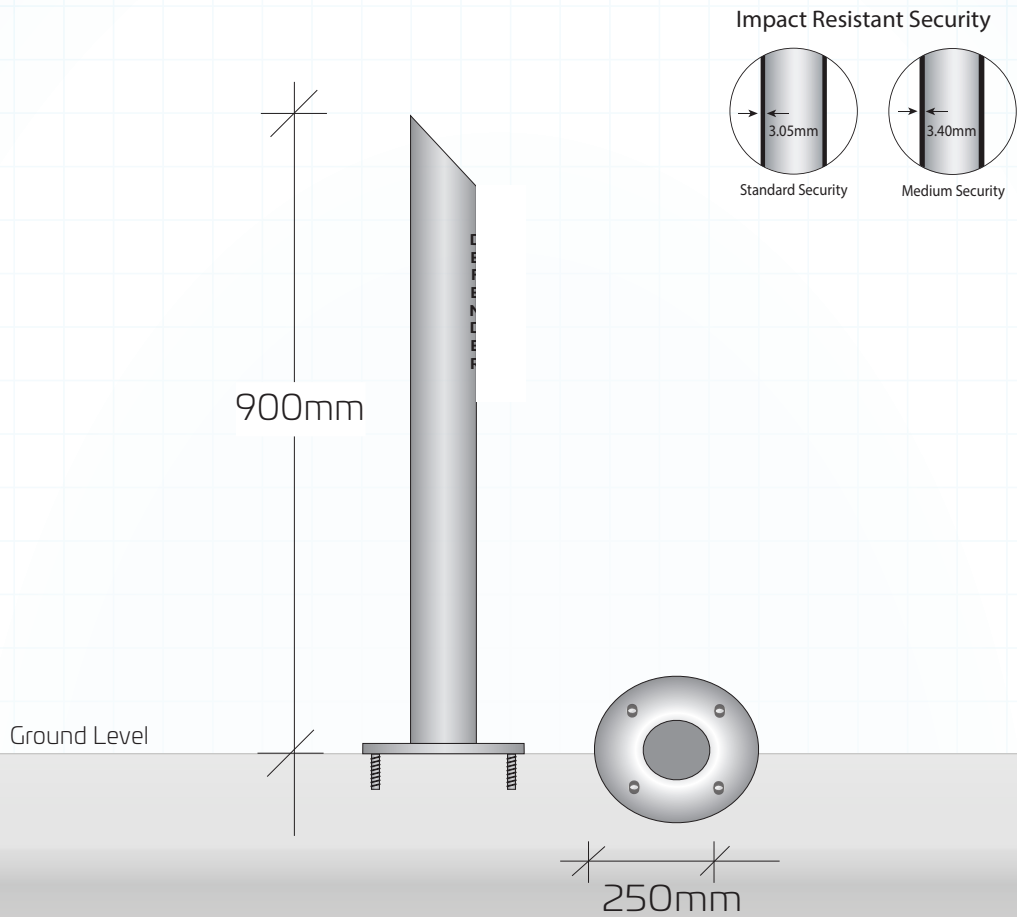
1300 76 44 77

www.pws.com.au email: sales@pws.com.au

• Installation service available in Sydney, Melbourne, Brisbane and Perth

DEFENDER BOLLARD

SS114/MB



114mmØ Mitred Stainless Steel Bollard Series

Code	Style	Height	Diameter	Wall Th.	Baseplate	Fixings
SS114A/MB	Bolt-down	900mm	114mm	3.05mm	250 x 6mm	4
SS114B/MB	Bolt-down	900mm	114mm	3.40mm	250 x 6mm	4

- Aesthetically appealing while adding security to your property
- Protect against accidental vehicle impact and unexpected ram raids
- 304 grade stainless steel is standard with a grade 4 finished surface
- 316 grade stainless steel is recommended for marine environments
- Low maintenance, anti-corrosive exterior
- Impact resistant to high security standard - wall thickness up to 8.18mm

1300 76 44 77

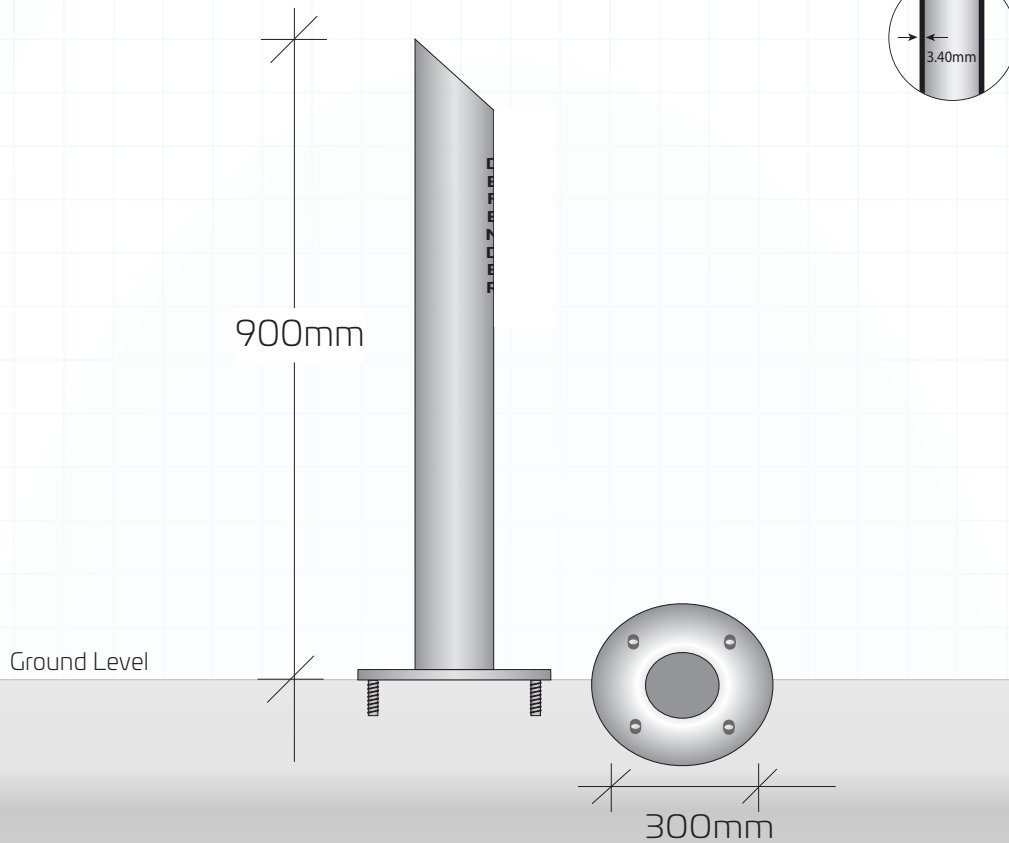
www.pws.com.au email: sales@pws.com.au

• Installation service available in Sydney, Melbourne, Brisbane and Perth

DEFENDER BOLLARD

SS140/MB

Impact Resistant Security



140mmØ Mitred Stainless Steel Bollard Series

Code	Style	Height	Diameter	Wall Th.	Baseplate	Fixings
SS140B/B	Bolt-down	900mm	140mm	3.40mm	300 x 6mm	4

- Aesthetically appealing while adding security to your property
- Protect against accidental vehicle impact and unexpected ram raids
- 304 grade stainless steel is standard with a grade 4 finished surface
- 316 grade stainless steel is recommended for marine environments
- Low maintenance, anti-corrosive exterior
- Impact resistant to high security standard - wall thickness up to 8.18mm

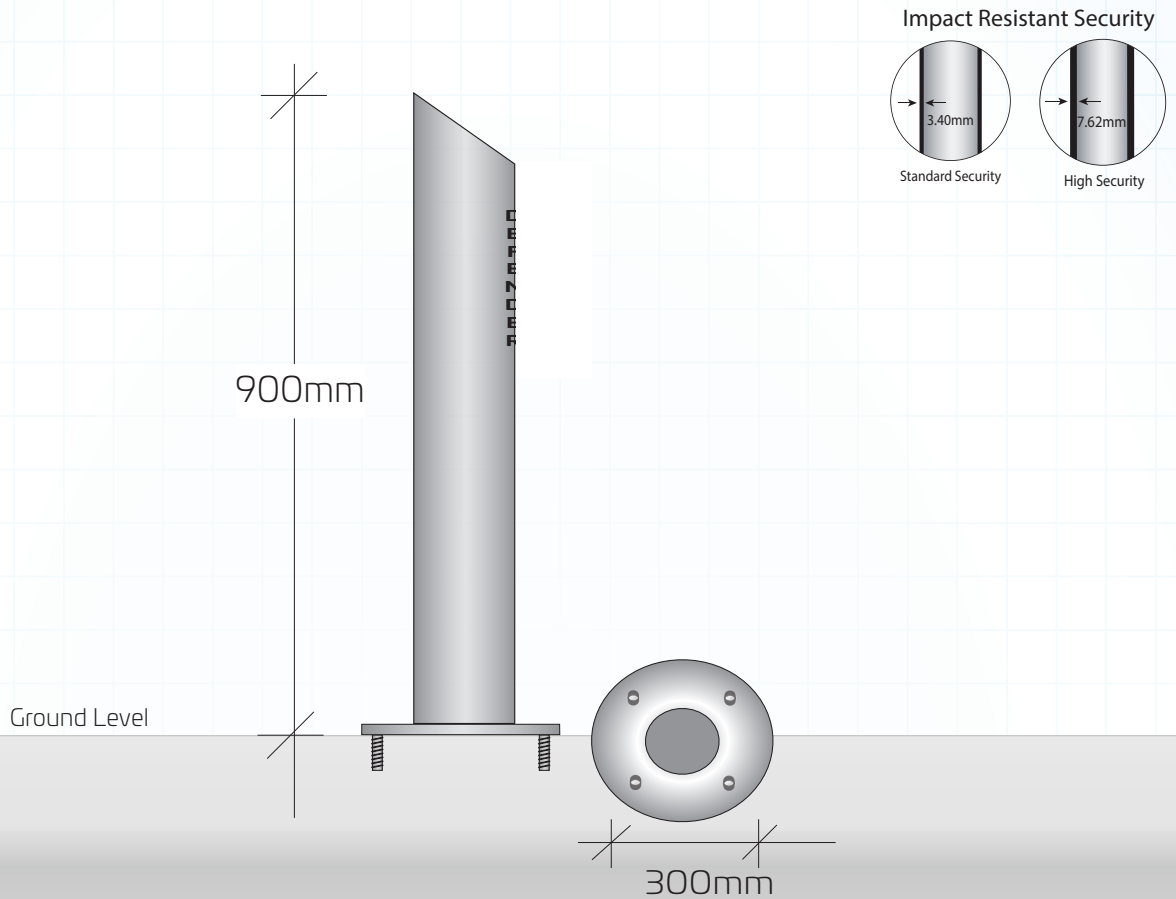
1300 76 44 77

www.pws.com.au email: sales@pws.com.au

• Installation service available in Sydney, Melbourne, Brisbane and Perth

DEFENDER BOLLARD

SS165/MB



165mmØ Mitred Stainless Steel Bollard Series

Code	Style	Height	Diameter	Wall Th.	Baseplate	Fixings
SS168A/MB	Bolt-down	900mm	168.3mm	3.40mm	300mm x 10mm	4
SS168B/MB	Bolt-down	900mm	168.3mm	7.11mm	300mm x 10mm	4

- Aesthetically appealing while adding security to your property
- Protect against accidental vehicle impact and unexpected ram raids
- 304 grade stainless steel is standard with a grade 4 finished surface
- 316 grade stainless steel is recommended for marine environments
- Low maintenance, anti-corrosive exterior
- Impact resistant to high security standard - wall thickness up to 8.18mm

1300 76 44 77

www.pws.com.au email: sales@pws.com.au

• Installation service available in Sydney, Melbourne, Brisbane and Perth